

# Plate System for Dodge Dart 1.4L



## Installation Instructions

# Read all Instructions before beginning!!!!

Caution – EXTREME DANGER – Caution

Do not use or mix any other manufacturer's products with any Nitrous Express products.  
Do not use or mix any Nitrous Express products with any other manufacturer's products.

**THESE INSTRUCTIONS APPLY TO NITROUS EXPRESS PRODUCTS ONLY!**

**FOR SANCTIONED RACE USE ONLY - NOT FOR SALE OR USE IN CALIFORNIA**

**CAUTION:** An experienced technician familiar with the use and handling of high-pressure cryogenic gases should install this system. If you have any doubt about your skills this system should be taken to a qualified shop for installation. If you have decided to do the install yourself please read and understand all of these instructions before you start. Some of these instructions may or may not apply to your vehicle, if you have any questions please call our tech department 940-767-7694 9:00A.M.-5:00P.M. CST.

Before starting, disconnect the negative terminal on the battery. If you have any questions about your particular vehicle consult a shop manual.

### These instructions are divided into 6 sections:

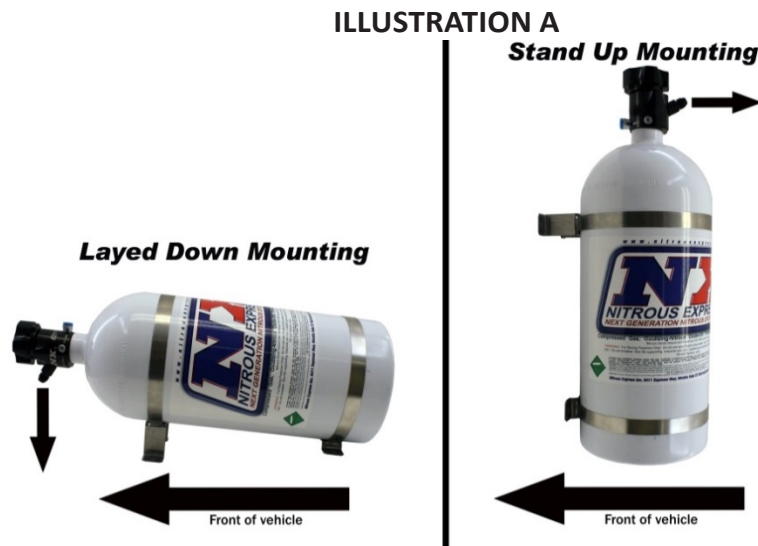
1. Mounting the Bottle
2. Routing the Supply Line
3. Mounting the Solenoids
4. Mounting the Plate
5. Plumbing the Fuel System
6. Wiring
7. Testing the System
8. Power Tuning Tips

### Before starting any installation steps:

1. Never use Teflon tape on any system fittings. Tape debris will cause numerous problems ranging from clogged solenoids to blocked jets. Use the liquid thread sealer furnished with your NX system. A drop is all it takes.
2. Have your nitrous bottle filled by a reliable source, being sure it is filled to the correct capacity with **FILTERED** "NY-TROUS+" nitrous oxide.

## MOUNTING THE BOTTLE

The nitrous bottle should be mounted in the trunk area or outside of the passenger compartment. If this is not possible or practical a NHRA approved blow down tube and vent fitting (PN's 11708, 11709) must be installed. The positioning of the bottle should be as shown in illustration "A". This will allow the siphon tube to be covered at all times. The mounting brackets should be assembled on the bottle with the short bracket approx. 2" from the bottom. The long bracket should be placed approx. 7" above the lower bracket on 10lb bottles. The upper bracket should be approximately 12" above the lower bracket on 15lb bottles. **Note: Before drilling holes to mount the bottle, be sure to check for clearance beneath the mounting surface i.e.: fuel tank, fuel lines, brake lines, etc.**



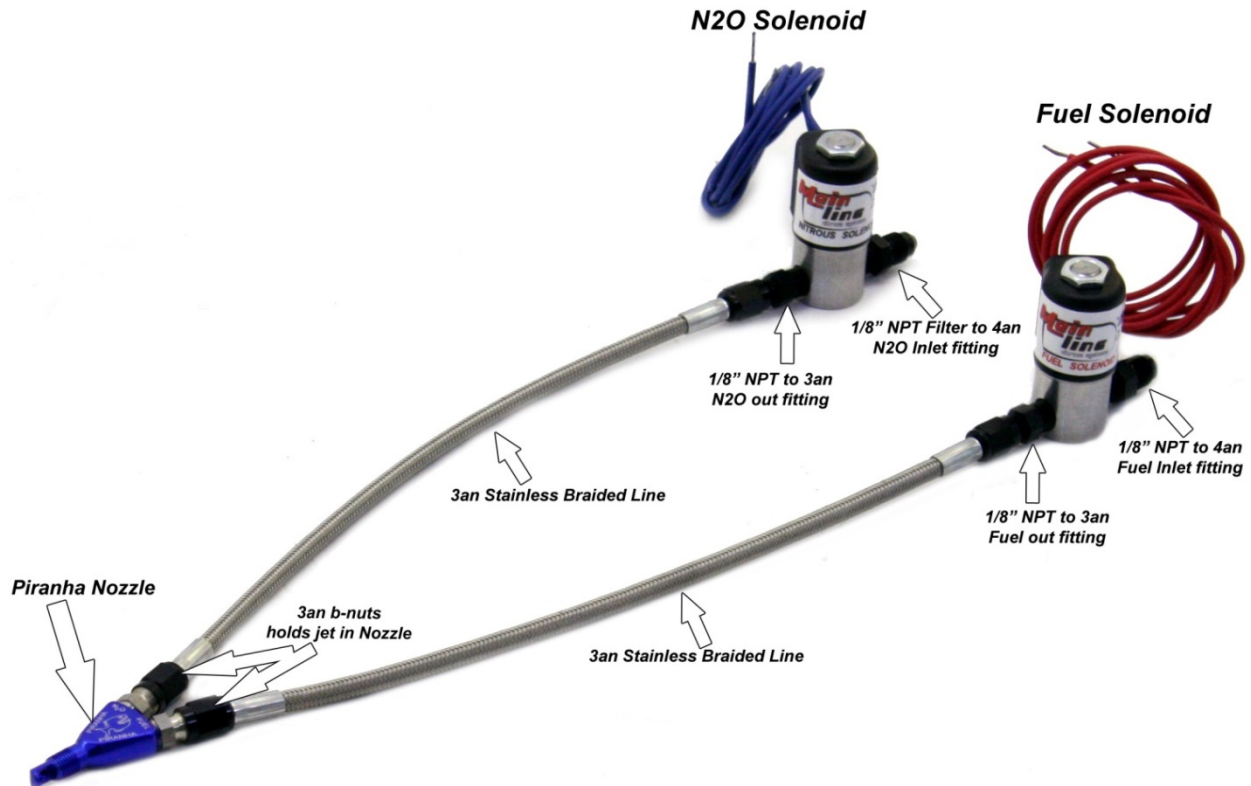
## ROUTING THE SUPPLY LINE

To route the supply line, drill a  $\frac{3}{4}$ " hole beneath the valve discharge port. Before beginning the routing procedure; place tape over both ends of the line. Now route the line beneath the car being sure to avoid all exhaust, suspension and other moving parts. Following the factory fuel line is usually the safest. Be careful to avoid any positive 12-volt sources, one small spark to the outer braid of the line will destroy it!!! Secure the line carefully, zip ties work best here. Before connecting the line to the bottle, purge the line of all possible debris by carefully blowing compressed air through the line for several seconds. Connect the line to the bottle nipple and tighten securely.

## MOUNTING THE SOLENOIDS:

The nitrous and fuel solenoids should be mounted close enough that the included lines reach the plate. The system includes universal solenoid mounting brackets. These brackets are bendable to fit multiple vehicle applications. The brackets bolt on the solenoids with the included 8-32 screws. Install fittings into the solenoids; these are a NPT thread and will require the use of NX thread sealer provided in the system. The nitrous solenoid will have a screened (filtered) fitting for the inlet of the solenoid to keep debris from entering the solenoid. The inlet of the fuel will use the unfiltered 1/8NPT to 4an fitting. The purge port of each solenoid will be blocked off with a 1/8NPT plug. Next install the outlet fittings into the solenoids using NX thread sealer on them as well. Once assembled the solenoid should look similar to the one in "Illustration B".

## ILLUSTRATION B



### MOUNTING THE NITROUS PLATE:

First, lay all the pieces out to be sure everything you need is at hand. Take a close look at your intake manifold taking notes of wiring connections, vacuum fitting locations, and throttle cable hook-ups.

1. Remove the plastic intake cover.
2. Remove the throttle body.
3. Install nozzle into plate, making sure nozzle discharge area is facing the manifold, following the air flow.
4. The nitrous plate should be installed between the intake manifold and throttle body.
5. Using the supplied O-ring, re-install the throttle body in front of the nitrous plate and torque to factory specs using the provided hardware.
6. Now it is time to install the proper jets in the plate fittings. Make sure the number on the side of the jet corresponds with the proper number for the desired horsepower setting. (Jetting Chart is listed on the last page of these instructions) You will repeat this process for the nitrous and fuel side of the plate.
7. Once you have the jets installed, thread the provided 3AN hose ends onto your nozzle, sticking out of the plate. **(CAUTION: You must always use a back-up wrench when tightening the nitrous or fuel fittings, failure to do so will void the system warranty!!!!!!)**
8. Connect the 4AN Hose ends to the nitrous and fuel solenoid "out" ports.

### FUEL SUPPLY CONNECTION:

**WARNING: THE FUEL RAIL AND/OR FUEL LINES ARE UNDER HIGH PRESSURE. USE EXTREME CAUTION WHEN DISCONNECTING ANY FUEL LINE. QUICKLY COLLECT AND PROPERLY DISPOSE OF ANY EXCESS FUEL SPILLAGE.**

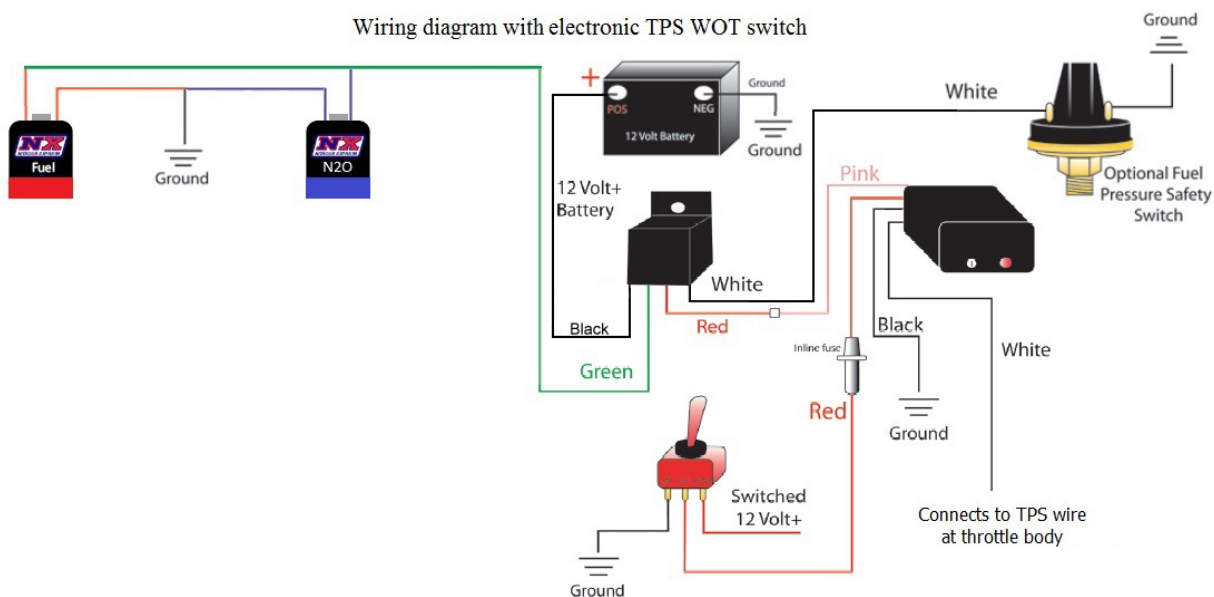
1. Locate the fuel supply line on the fuel rail (injector rail). Disconnect the factory fuel line from the fuel rail using a fuel line removal tool.
2. Attach the NX Fuel Rail Adapter to the in-line with the factory fuel line on the fuel rail.
3. Now connect the fuel line from the fuel rail adapter fitting to the "IN" side of the fuel solenoid.

4. Install the 1/8NPT plug (supplied) or fuel pressure gauge (NX Part # 15511) in the extra port of the fuel rail adapter using the supplied NX thread sealer on the threads.
5. Connect the factory fuel supply line on top of the NX fuel rail adapter. (See illustration E)

**ILLUSTRATION E**



**ILLUSTRATION F**



**ELECTRICAL HOOK-UP:**

1. Follow wiring diagram (Illustration F) to correctly wire up your nitrous system.
2. After all wiring is complete; reconnect the battery cable.
3. You must determine which wire on your vehicle's TPS is the output signal to the vehicles computer. Refer to your vehicle's service manual to determine which the output wire is. (This is usually a brown wire with either an orange, green or blue tracer) (We suggest using a multi-meter to verify on your specific vehicle)

**Programming the TPS Wide Open Throttle Module:** –Note these instructions are for TPS modules with only 2 LEDs on the module. If you have an older version with only 1 LED on the module please refer to [nitrousexpress.com/instructions.html](http://nitrousexpress.com/instructions.html) for programming instructions. The NX TPAS is designed to trigger a relay, 1 amp maximum current draw, at or near wide open throttle and automatically calibrates itself to work with rising or falling signal.

1. The NX TPS Wide Open Throttle Module may be installed inside or under the hood. Mount the unit in a place that it will be easy to access the learn button and view the LEDs. Make sure the unit is located away from any heat source, i.e. exhaust manifold, header, or EGR.
2. Following the wiring diagram, route all wires but make no connections.
3. You must determine which wire on your vehicle's TPS is the output signal to the vehicles computer. For Coyote mustangs, this is the brown wire at the throttle body.
4. Connect all wires per NX Self- Programming Throttle Position Activation Switch wiring diagram using a 1 to 3 amp fuse in series with the red wire.
5. On initial power up, press and hold the button while turning on switched +12 volts. The green LED should begin flashing indicating that the unit is not programmed.
6. Release the button.
7. With the throttle at pedal at idle position, press and hold the button until the red LED comes on (approximately 4 seconds). The green LED will continue to flash. Release the button and leave the throttle at Idle. The unit is now calibrating the idle position and making sure that the idle signal is stable. Wait for both LED's to turn off.
8. Now move throttle to wide open and hold for 1 second, then release back to idle (Red LED should come on to indicate that its working and waiting to check the calibration).
9. To check the calibration, move throttle to wide open again and then release to idle a second time. Once the check is complete, the Red LED will turn off and the Green LED will turn on indicating that the unit is calibrated and armed.
10. Once calibrated, the unit will activate the relay when the throttle opens to 90% or more and it will remain on as long as the throttle is between 90% and 100%. (When the relay is activated, both the red and green LEDs will be on). When the throttle closes to less than 90%, the unit will turn the relay and the red LED off. The green LED will remain on indicating that the unit is re-armed and ready for the next run.
11. If at any time during the calibration process the green and red LED's flash rapidly in an alternating pattern that means the calibration was not completed correctly. This can be the result of one of two things. Either the throttle was moved while it was calibrating the idle position or the TPS signal is not stable. Check wiring and recalibrate.

**Note: The nitrous and fuel solenoids are rated only for intermittent duty. Do not engage either solenoid for more than 20 continuous seconds. Solenoids that have "burned or scorched" electro-magnets will not be replaced under warranty.**

**NOTE: On all vehicles equipped with factory rev-limiters should take extreme care not to over-rev the engine. If the rev-limiter is engaged with the N2O system on, serious engine damage could result. An aftermarket RPM window switch (NX PN# 18959) should be used to disengage the N2O system 200 RPM's before the rev-limiter activates.**

After a complete check and verification of all components of the system for proper installation and operation it is time to have some fun.

## Testing the System

1. Re-check all installation procedures to be sure nothing has been omitted.
2. Be sure the nitrous bottle has not been opened and the supply line is empty!



3. Using the toggle switch “ARM” the system.
4. Test solenoid operation by using the system activation switch. Both solenoids should “Click” (The nitrous solenoid should click loud, and the fuel solenoid will click soft). If they do not, re-verify all electrical connections and wiring diagrams.
5. Carefully open the nitrous bottle and verify that no fittings or hoses are leaking. Correct any leaks before proceeding.
6. Do not start the engine if nitrous has been accidentally injected while the motor was not running! All nitrous must be cleared from the engine before starting; otherwise a violent intake manifold explosion could occur!
7. Start engine and check for any fuel leaks. Correct any leaks before proceeding.
8. The Nitrous System is now ready for normal usage.
9. All NX systems are intended for off road use only and should only be used in that context.

**Additional parts recommended for operating your nitrous system satisfactorily:**

- Nitrous Pressure gauge (PN 15508) - STRONGLY RECOMMENDED
- Purge Valve (PN 15600)
- Bottle Jacket (PN 15945 for 10lb bottle or PN 15946 for 15lb bottle)
- Fuel pressure Safety Switch (PN 15718)
- Bottle heater (NX 15941) - STRONGLY RECOMMENDED
- NHRA legal blow down vent fitting (PN 11709)
- NHRA legal blow down vent tube (PN 11708)
- TPS/RPM Window Switch (PN 18959)

**SAFETY TIPS**

Do not attempt to start engine if nitrous has been accidentally injected while the engine was not running. Disconnect coil wire and turn motor with throttle wide open for several revolutions before attempting to restart. If it is not possible to disable the ignition then the spark plugs must be removed and the engine cleared of all nitrous before attempting to start engine.

1. Never permit oil, grease, or any other readily combustible substances to come into contact with nitrous cylinders, valves, solenoids, hoses and fittings. Oil and certain gases (such as oxygen and nitrous oxide) may combine to produce a flammable condition.
2. Never interchange solenoids or other appliances used for one compressed gas with those used for another.
3. Identify the gas content by the label on the bottle before using. If the bottle is not identified to show the gas contained, return the bottle to the supplier.
4. Do not deface or remove any markings, which are used for content identification.
5. Cylinder valves should be closed except when nitrous is actually being used.
6. Notify supplier of any condition, which might have permitted any foreign matter to enter the valve or bottle.
7. Never drop or violently strike the bottle
8. Keep valves closed on all empty bottles to prevent accidental contamination.

## POWER TUNING TIPS:

Nitrous oxide works well with all applications; 4 cycle, 2 cycle, diesel, and rotary engines. Each one has individual tuning characteristics, and these tips apply generally to each one. Nitrous oxide is referred to as “Liquid Supercharging” because it, in effect, does the same thing as a mechanical supercharger, adding more fuel and oxygen into each cylinder, thus producing more power. The biggest enemy of all supercharged, turbo charged and nitrous injected engines is “DETONATION”. The use of higher-octane fuel, and or a combination of better fuel and timing retard can control this. Remember detonation is a spark plug, head gasket and engine “KILLER”.

1. Your engine should be tuned to its maximum power prior to nitrous usage.
  2. The ignition is an integral part of the nitrous system and must be able to ignite the mixture under very high cylinder pressures. The hotter the spark the better!
  3. In stock engine applications and street usage the spark plugs should be at least 2 steps colder than stock. Do not use platinum tip, extended tip or any plug with multiple ground straps or split ground straps. When in doubt about heat range always go one step colder. A spark plug that is too “Hot” will cause detonation, burned plugs, poor performance, and engine damage. In competition engines always use the coldest plug available. Never use an extended tip plug in a racing engine.
  4. The NX nitrous system is so advanced, (technology, engineering, and workmanship) that huge amounts of timing retard is not required. We recommend 2 degrees timing retard for each 50 horsepower boost as a starting point. Your engine may need more or less depending on your combination.
  5. Your fuel system is also an integral part of the nitrous system, be sure it is in top shape and all filters are clean.
  6. Engine operating temperature should be between 160 and 200 degrees prior to nitrous usage.
  7. Never “lug” your engine and hit the nitrous system, use the system at wide-open throttle only, nitrous should not be used below 3000 rpm’s. If you do any of the above a serious “Back Fire” could result in engine damage.
  8. The better the exhaust system the better the nitrous system will work.
  9. Do not attempt to drill or alter the jets, solenoids, or the tubes in the nitrous plate. These items are engineered to their maximum capability. Any modification you can make will decrease power and destroy engine parts.
  10. Do not mix or attempt to match any other brand solenoids, plate, or nozzles with this system. Any attempt at this could lead to serious engine damage.
  11. All of our systems are designed to operate at 1000 PSI bottle pressure. This is extremely important and cannot be stressed enough. If your bottle pressure is below 1000 PSI the system will run rich and will not produce the advertised horsepower. If the bottle pressure is above 1000 PSI the system will run lean, possibly damaging engine parts. This pressure is easily monitored by using a NX liquid filled pressure gauge (PN 15509). Note: When the ambient temperature is below 97 degrees a bottle warmer is required (PN 15940 or 15941). An NX bottle jacket (PN15945 or 15946) will help stabilize bottle pressure in the winter and summer.
- CAUTION: NEVER USE AN OPEN FLAME TO HEAT A NITROUS BOTTLE. THIS IS A VERY DANGEROUS AND POTENTIALLY FATAL PRACTICE!!!!!!!!!!!!!!**
12. A purge valve (PN 15603) is recommended on all NX systems. When the weather begins to get hot a purge valve is worth up to a tenth of a second on a 1/4 mile pass. Note: The correct purging procedure for drag racing is: 1. Complete the burnout. 2. Light the pre-stage

- bulb. 3. Push the purge button three times, one second each. 4. Stage immediately, GO FAST.
13. If there is a question about the purity of your nitrous supply, a filter (PN15610 or 15607) should be used when refilling your bottle. Just attach the filter to your bottle when you take it to be refilled. Contaminated nitrous will cause serious damage to the nitrous solenoids and possibly to your engine. This is a lifetime renewable filter.
  14. If you have questions about the suitability of your torque converter or gear ratios, call the factory tech line for the inside scoop.
  15. Your nitrous bottle should be turned off when not in use (even between runs). An NX remote bottle opener (PN 11107) will make this task much easier.
  16. Start with the lowest power setting in your system. Don't try to be the track "Hero" on your first pass. Remember start out small and work your way up, NX systems produce more real horsepower than any other brand on the market today.
  17. If the solenoids must be disassembled for cleaning or rebuilding always use the proper wrench (PN 15921). Do not use any clamping device on the solenoid tower, instant non-warranty, damage will result.
  18. If you run an NX system of 150+ horsepower you must use a high octane racing type fuel. These are some tips to help you choose and maintain the correct fuel for your application:
    - A. The most important statistic you should look for in the fuel specifications is the "MON" or motor octane number. In most cases the higher the number the more timing you can run and detonation will not be a problem
    - B. Most V-8 or V-12 engines with stock compression will run on "93" unleaded pump gas with up to 150 horsepower boost, most 4 or 6 cylinders with stock compression can use up to 75 horsepower.
    - C. Racing engines with high compression or higher must run racing fuel. The higher the compression, and the higher the boost, the higher the "MON" must be.
    - D. With nitrous usage usually the highest "MON" available is the one that should be used.
    - E. All NX systems are calibrated to use fuel with .730 specific gravity or "SG". If you use a fuel with a lower "SG" you must use a larger fuel jet to compensate for the lighter fuel. If you use a fuel with a higher "SG", a smaller fuel jet will be required. Most unleaded pump gas is .730 SG or above.
    - F. Racing fuel should be stored in an airtight, dark container. Exposure to atmosphere allows very important elements to evaporate, lowering the octane of the fuel. Sunlight oxidizes the lead contained in racing fuel, since this is the most important ingredient used to raise octane it must be protected.
    - G. Never leave the fuel in your car between race days. This allows evaporation of the very important "High end" hydrocarbons and lowers the octane of the fuel.
    - H. Never buy racing fuel from an underground or vented storage tank. Always demand to see where and how the fuel is stored; a sealed drum is the only correct way.
    - I. AV gas or aviation fuel is not compatible with nitrous usage, don't be tempted by the cheap price, instant engine damage will result!
    - J. For a fuel recommendation, contact your NX dealer.
  19. All vehicles, including full competition race cars, must have an alternator to provide adequate amperage required by today's racing accessories. Add up all the amps required by your car, you'll be surprised!
  20. If you have trouble with your NX system or any related parts, call your dealer first. If you still need help call the factory tech line 940-767-7694 9:00AM-5:00PM CST Mon-Fri. We are the nitrous experts and will give straight answers to your questions.

In conclusion.....



This instruction sheet and power tuning tips are valid only for a NX system. If you have a kit from another manufacturer this information will not help you! A tune up from any other brand of nitrous kit will not work with the NX "Next Generation" technology.

DO NOT LISTEN TO:

- A. YOUR BUDDY!
- B. YOUR BUDDY'S FRIEND!
- C. THE LOCAL NITROUS GURU!
- D. ANY ARTICLE IN ANY MAGAZINE

If you follow the foregoing suggestions, your NX system will operate trouble free and provide years of thrills. ABOVE ALL REMEMBER TO RACE SAFE AND HAVE FUN!

<b>Dodge Dart 1.4L EFI Plate Jetting</b>																											
Select the desired horsepower level and fuel type to determine the nitrous and fuel jet requirements. Ignition timing should be retarded 1.5 - 2 degrees per 50 hp of nitrous being sprayed. Spark plugs should be copper core, 2 steps colder than stock, gapped no larger than .035.																											
<b>CHECK ALL JETS FOR OBSTRUCTIONS UPON INSTALLATION!!!!!!!</b>																											
<table border="1"><thead><tr><th colspan="4"><b>Dodge Dart 1.4L @55psi Fuel Pressure</b></th></tr><tr><th>HP</th><th>N2O</th><th>Gasoline</th><th>E85</th></tr></thead><tbody><tr><td>35</td><td>31</td><td>18</td><td>20</td></tr><tr><td>50</td><td>35</td><td>20</td><td>22</td></tr><tr><td>75</td><td>41</td><td>24</td><td>26</td></tr><tr><td>100</td><td>52</td><td>31</td><td>33</td></tr></tbody></table>				<b>Dodge Dart 1.4L @55psi Fuel Pressure</b>				HP	N2O	Gasoline	E85	35	31	18	20	50	35	20	22	75	41	24	26	100	52	31	33
<b>Dodge Dart 1.4L @55psi Fuel Pressure</b>																											
HP	N2O	Gasoline	E85																								
35	31	18	20																								
50	35	20	22																								
75	41	24	26																								
100	52	31	33																								
With .078" N2O solenoid and 4an feedline																											
<b>This jetting chart is for informational purposes only, NX is not responsible for misuse or misapplication!</b>																											