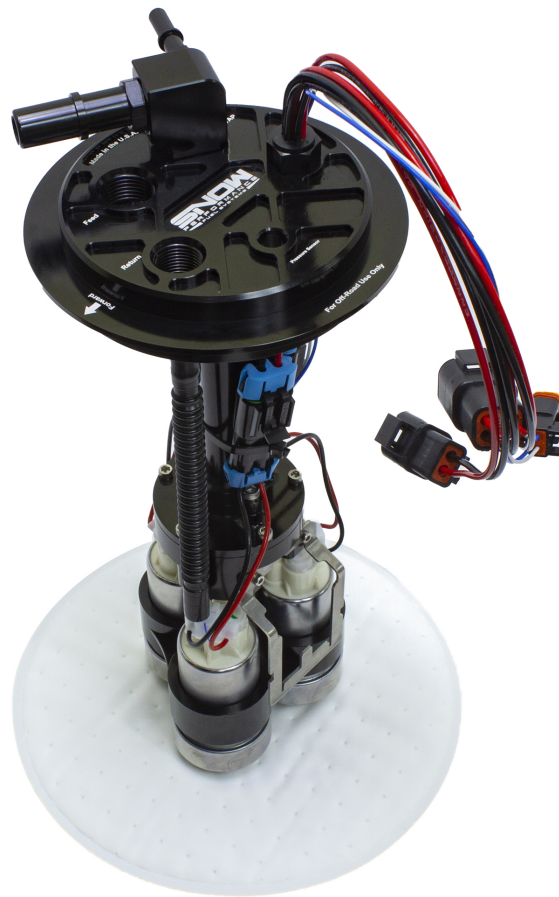




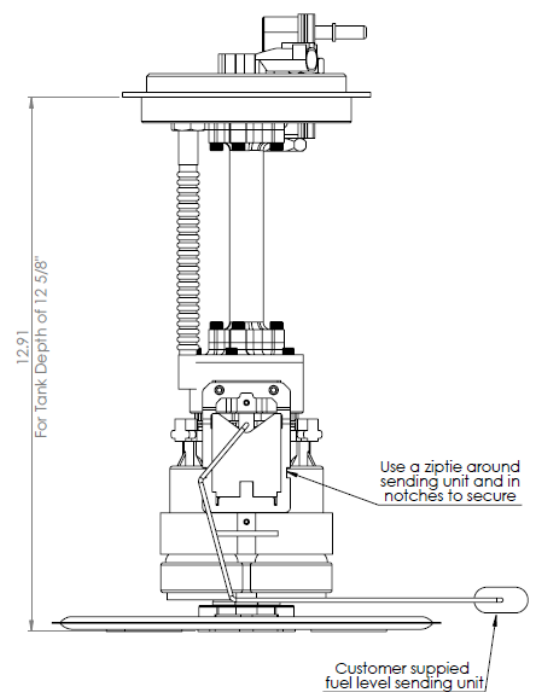
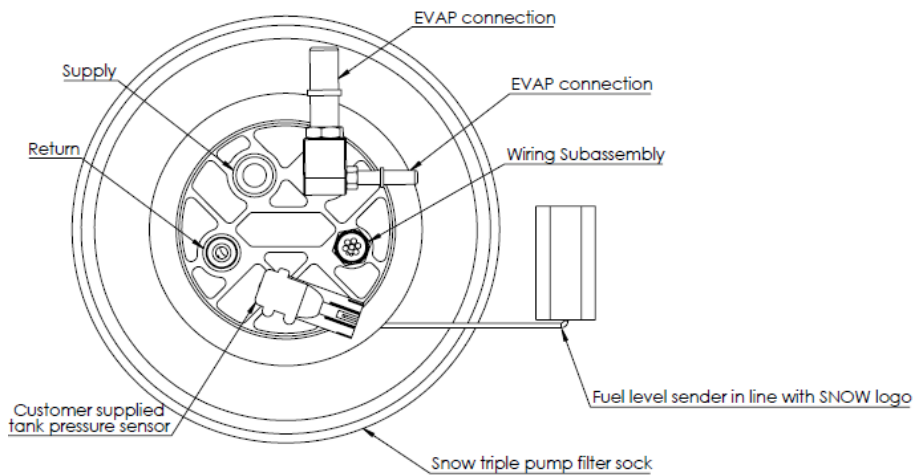
**2005-2019 GM Half-Ton Fuel Hat
Part# SNF-52700**



Caution – EXTREME DANGER – Caution
Do not use or mix any Snow Performance products with any other manufacturer's products.

**THESE INSTRUCTIONS APPLY TO SNOW PERFORMANCE PRODUCTS ONLY!
FOR SANCTIONED RACE USE ONLY - NOT FOR SALE OR USE IN CALIFORNIA**

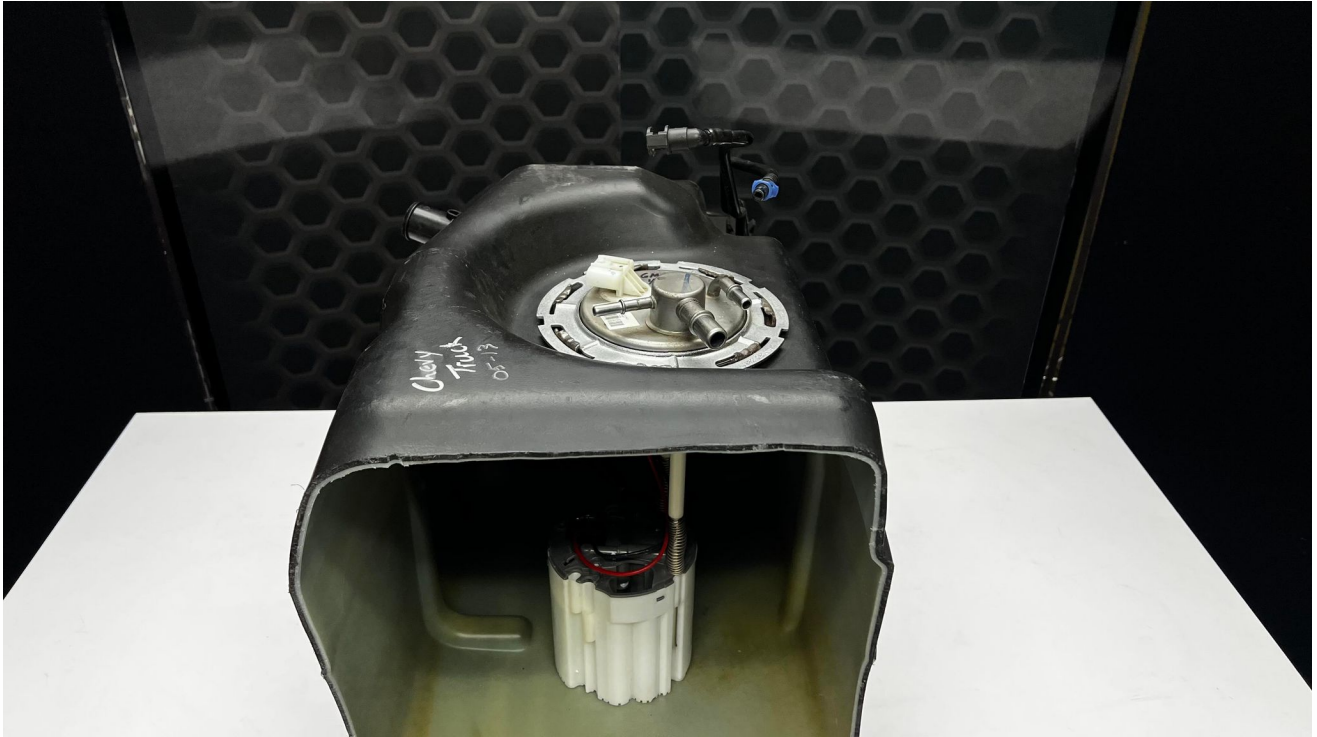
Pictures for reference only. Your year model may be slightly different.



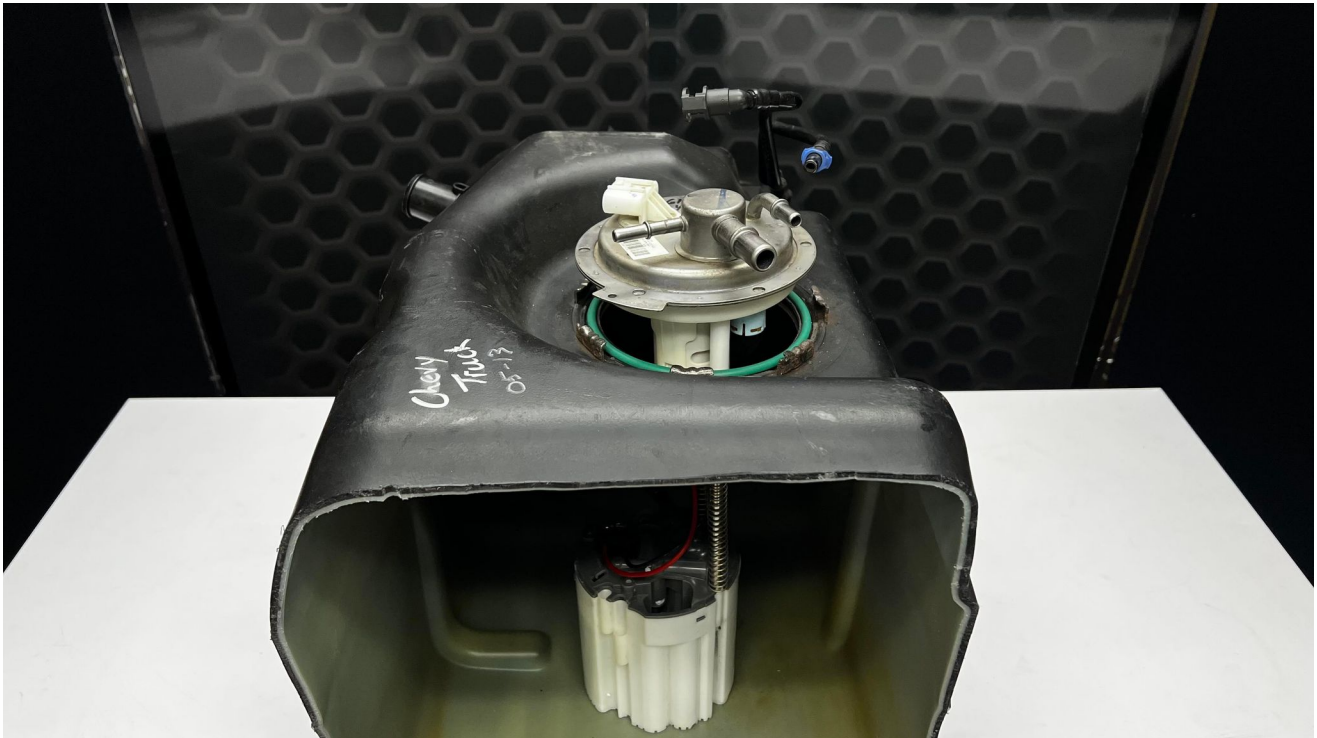
Installation:

1. To make installation easier, the fuel level should be at its lowest point possible before removal.
2. The fuel tank is underneath the bed on the drivers side of the vehicle.
3. Remove bed to access fuel tank, or lower fuel tank.
4. Disconnect electrical connectors.
5. Squeeze the tab and unplug the white connector. Relieve the pressure in fuel system by starting the engine and allowing it to stall. Remove the gas tank fill cap to relieve any residual tank pressure.
6. Disconnect the battery to ensure a safe working environment when handling items within the fuel system.
7. Clean the top of the factory fuel pump assembly to ensure no foreign materials make their way into the fuel tank.
8. Fuel supply line. Squeeze the release tab and remove the line from the factory fuel pump assembly. (Be sure to clean away or contain any fuel that may have spilled.)
9. Remove EVAP lines from factory fuel pump assembly. To release the OEM lock ring it is recommended to use the specified fuel tank lock ring tool.

View toward the front of the vehicle



View toward the front of the vehicle

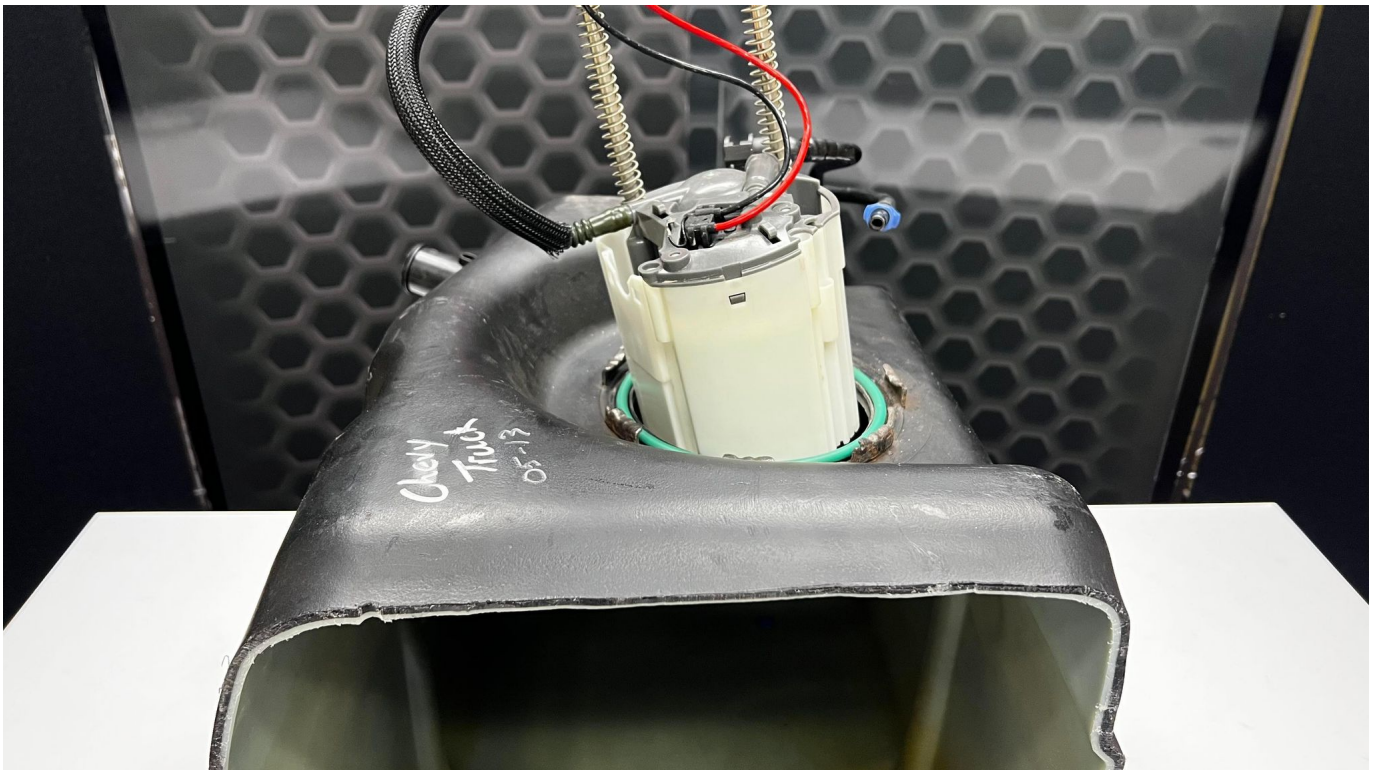


10. Remove the OEM fuel tank lock ring. The OEM pump assembly is spring-loaded and will pop up as soon as the lock ring is released.

11. Next, slowly remove the assembly. Do not bend or damage the fuel float arm. Once the float clears.

12. Remove the OEM pump assembly and safely drain and contain any residual fuel in the assembly. Inspect the large green seal insuring it is not damaged or compromised.

View toward the front of the vehicle

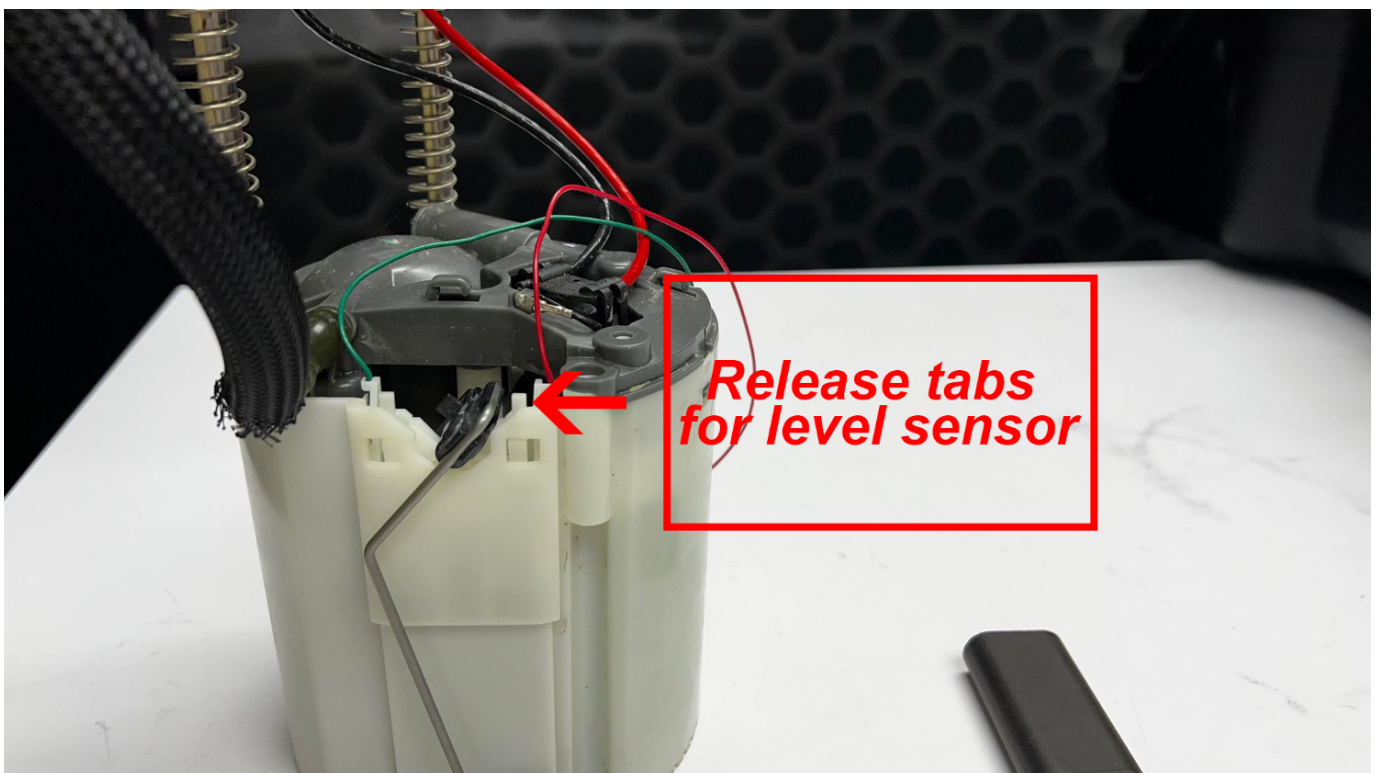


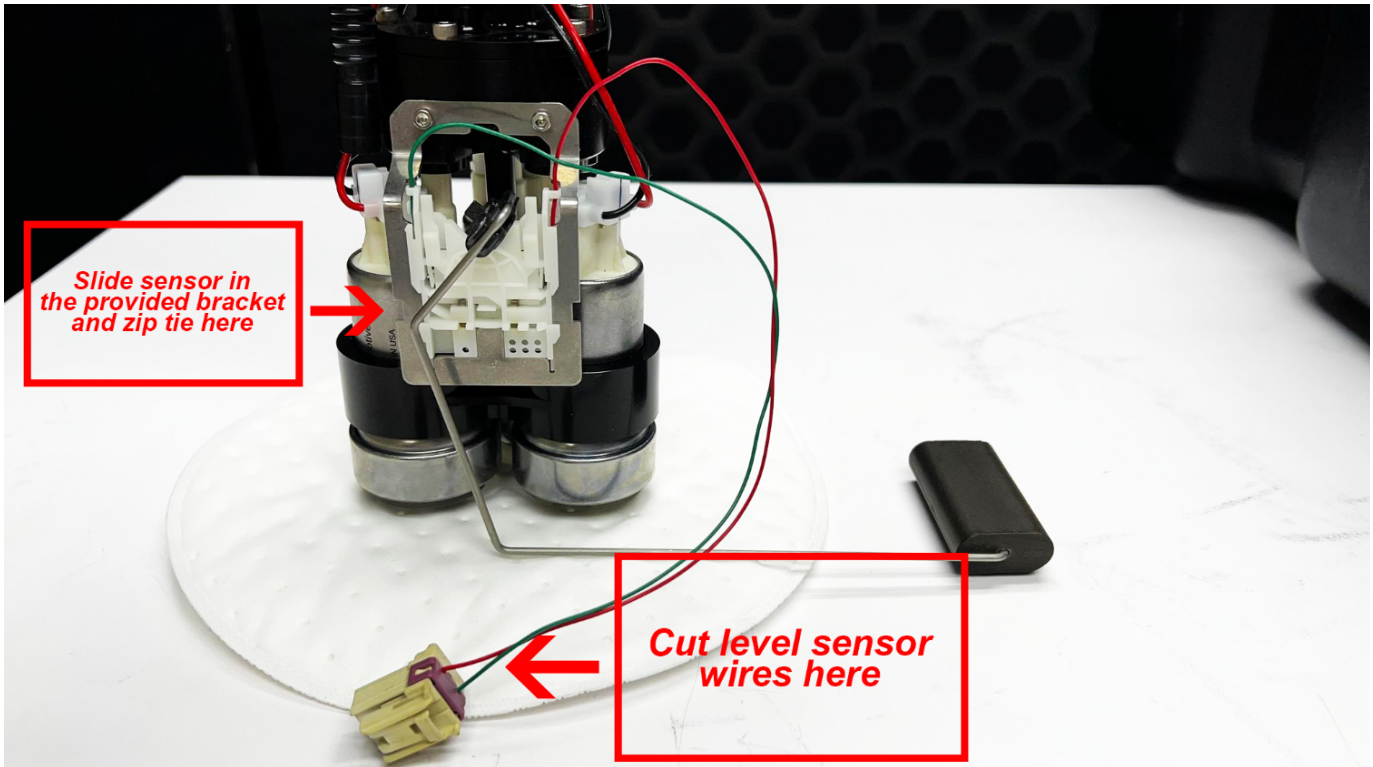
View toward the front of the vehicle



14. Be sure to cover the opening into the tank to ensure no trash enters the fuel system.

15. Now that the OEM pump assembly has been removed from the vehicle, we will now remove the level sensor from the assembly itself. Press in towards the body of the bucket to release the sensor. The only parts that will be reused are the fuel level sender and the large gasket.





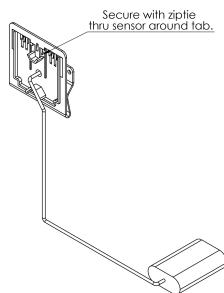
16. Cut the electrical connector off. Keep as much wire slack as possible, and proceed to strip the wires.

17. Wire polarity is not specific to the level sensor. We will connect the level sensor wires in a fashion similar to its previous state simply by soldering the wires back together and securing the contact with heat shrink. Connect to the White & Blue wires.

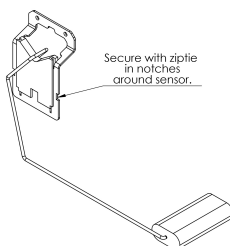
18. Slide the fuel level sensor into the provided bracket and secure the sensor with a zip tie indicated in the image above.

19. Install the green O-ring gasket into the recessed area.

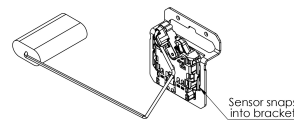
04-07 SENDING UNIT
 Bracket- SNF-S52716
 Sensor- SK1128, 911024,
 FPU00193



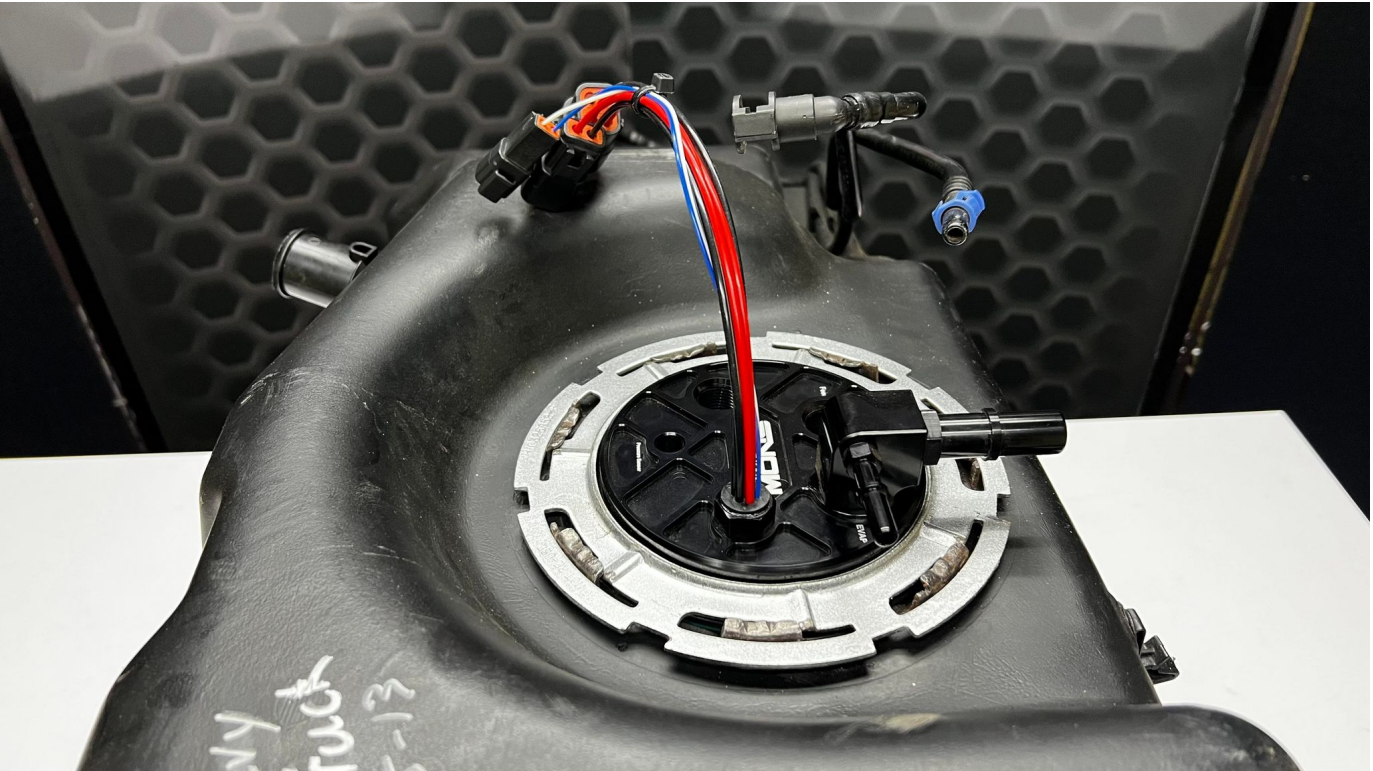
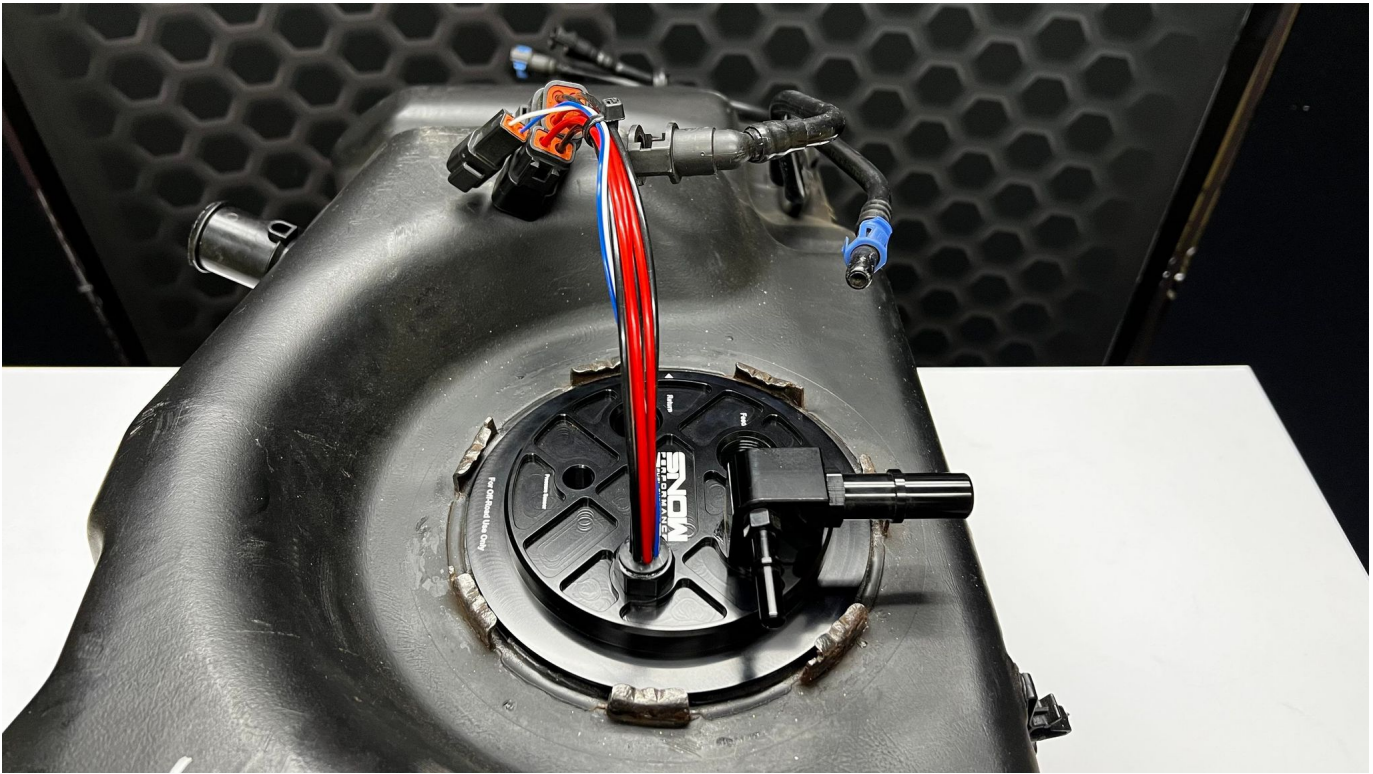
05-13 SENDING UNIT
 Bracket- SNF-S52718
 Sensor- SK1293, 911178



14-19 SENDING UNIT
 Bracket- SNF-S52719
 Sensor- SK1408, 13538693



Sending Unit Bracket varies depending on the year of the vehicle.





20. Tilt the assembly so the fuel level float fits into the tank.

21. Carefully lower the fuel pump assembly until the top hat fully seats onto the gas tank opening. It is normal to have a slight interference with the fuel level sensor. When sliding the fuel level sensor past the tank opening, gently push the sensor inward.

22. For proper orientation, reference the arrow on top of the Multi-Pump Fuel Hat.

23. Using the proper tool and socket wrench, reinstall the lock ring, as well as all other Fuel and Evap lines. Also transfer the tank pressure sensor from the stock assembly into the Snow hat.

24. Proceed with wiring using the diagram below as reference. This representation is most accurately used with our Multi-Pump Relay Module (Part# SNF*-20003).

NOTE: Popular Example



25. Reconnect the battery and turn the ignition key to the ON position. Confirm the new fuel pump(s) prime for a few seconds and inspect the car for leaks. If no leaks are found, start the vehicle. The engine may run rough for a few seconds until all the air is bled from the fuel system. You have officially completed the installation!

Popular Routing Example:

